

F E D C B A

4

3

2

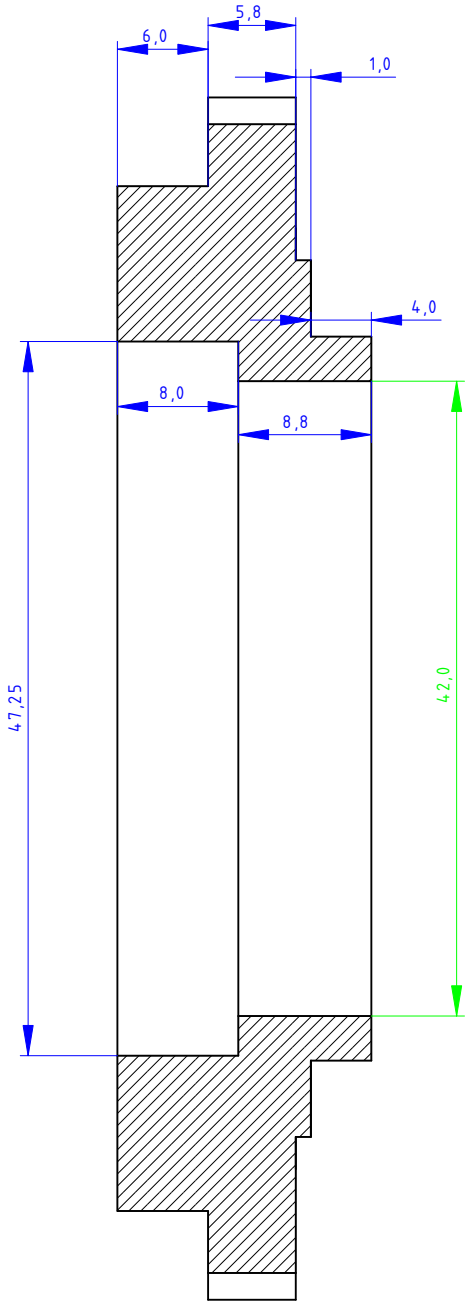
1

4

3

2

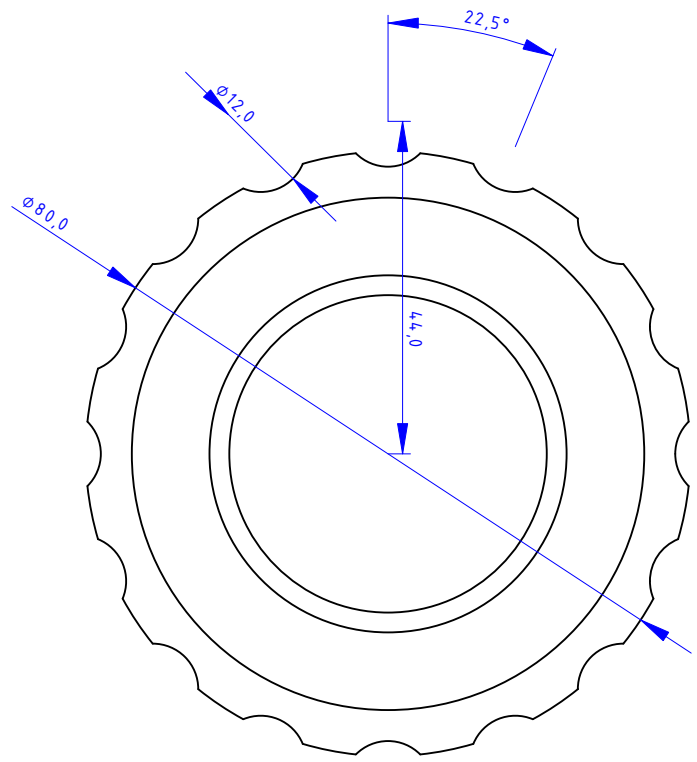
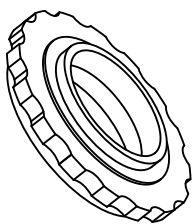
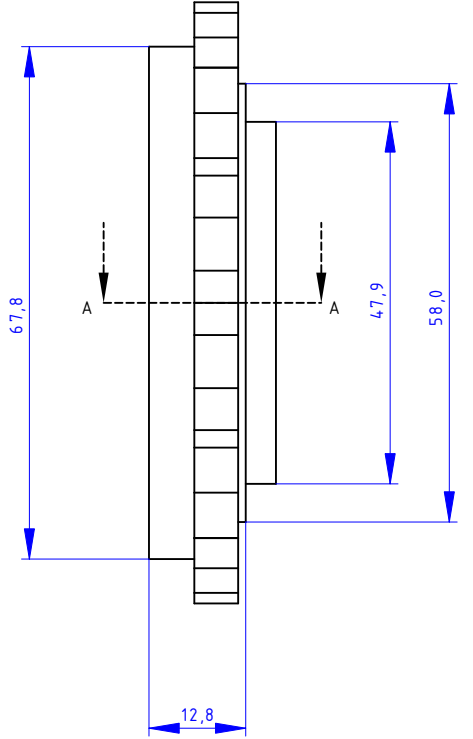
1



Schnitt A

$A = 1,28 \text{ dm}^3$

- 000,0° 180,0°
- 022,5° 202,5°
- 045,0° 225,0°
- 067,5° 247,5°
- 090,0° 270,0°
- 112,5° 292,5°
- 135,0° 315,0°
- 157,5° 337,5°
- 180,0° 360,0°



DESIGNED BY: K. Wicker		M68-CRL M48-Bolzen		G	—
DATE: 18.11.2023		AW-6082		F	—
SIZE A4				E	—
SCALE 1:1	WEIGHT (kg)	DRAWING NUMBER	SHEET	D	—
This drawing is our property; it can't be reproduced or communicated without our written consent.				C	—
				B	—
				A	—

F E D C B A